



### Features:

- Fits 37"- 90" TVs up to 175 lbs.
- VESA 100 x 100 to 700 x 400 (W x H) (mm)
- Locking mechanism secures rails to wall plate (pad lock optional)
- Tilts up to 12° to reduce glare
- Effortless tilting and swivel capability for more advanced viewing angles
- Low 2.0" profile
- Post installation leveling

### Características:

- Para televisores de 37" a 90" y de hasta 175 libras
- VESA 100 x 100 a 700 x 400 (anch. x alt.) (mm)
- El mecanismo de bloqueo asegura los rieles a la placa de pared (candado opcional)
- Inclinación de hasta 12° para reducir el reflejo
- Capacidad de inclinación y rotación sin esfuerzo para lograr mejores ángulos de visión
- Bajo perfil de 2.0"
- Nivelación después de la instalación

### Caractéristiques :

- Convient aux TV de 37 à 90 po pesant jusqu'à 175 lb.
- VESA 100 x 100 à 400 x 400 (L x H) (mm)
- Le mécanisme de verrouillage fixe les rails à la plaque murale (Cadenas en option)
- S'incline jusqu'à 12° pour réduire l'éblouissement
- Capacités d'inclinaison et de pivotement sans effort pour des angles de vision plus avancés
- Profil bas 2,0 po
- Mise à niveau postinstallation



**CAUTION: DO NOT EXCEED  
MAXIMUM WEIGHT CAPACITY.  
SERIOUS INJURY OR PROPERTY  
DAMAGE MAY OCCUR! Max Loading  
Weight: 175 lbs**

**PRECAUCIÓN: NO EXCEDA LA  
CAPACIDAD DE PESO MÁXIMA.  
¡PODRÍAN OCURRIR LESIONES O  
DAÑOS A LA PROPIEDAD!  
Peso de carga máx.: 175 libras**

**ATTENTION : NE PAS EXCÉDER LA  
LIMITE DE POIDS MAXIMALE. CELA  
PEUT ENTRAÎNER DE GRAVES  
BLESSURES OU ENDOMMAGER DES  
BIENS!  
Limite de poids maximale : 175 lb**

# TOOLS NEEDED

Herramientas Necesarias

Outils Requis



## SYMBOLS SÍMBOLOS SYMBLES



**Drill**  
Agujerear  
Percer



**Level**  
Nivel  
Niveau



**Socket Wrench**  
Llave española  
Clé ouverte



**Caution**  
Precaución  
Attention



**Tighten**  
Ajustar  
Serrer



**Pencil Mark**  
Marque con lápiz  
Marque de crayon



**Screwdriver**  
Destornillador  
Tournevis



**Heavy!**  
Tres Lourd  
!Pesado

## HARDWARE PRODUCT NUMBERS

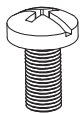
NÚMERO DE LOS ACCESORIOS DE MONTAJE

NUMÉROS DE PRODUIT DU MATÉRIEL



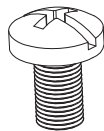
1

M4 x 12  
X 4



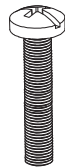
2

M6 x 15  
X 4



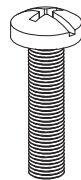
3

M8 x 15  
X 4



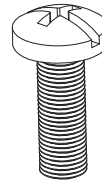
4

M4 x 30  
X 4



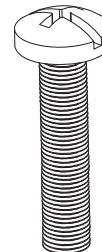
5

M6 x 30  
X 4



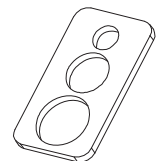
6

M8 x 30  
X 4



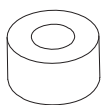
7

M8 x 50  
X 4



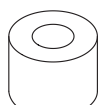
8

**SQUARE WASHER**  
ARANDELA CUADRADA  
RONDELLE CARRÉE  
X 4



9

5mm  
**SPACER**  
ESPACIADOR  
ENTRETOISE  
X 4



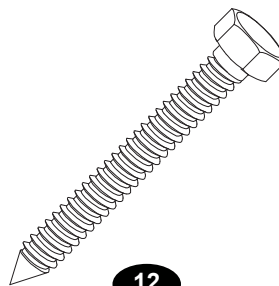
10

10mm  
**SPACER**  
ESPACIADOR  
ENTRETOISE  
X 4



11

**STEEL WASHER**  
ARANDELA DE ACERO  
RONDELLE EN ACIER  
X 8



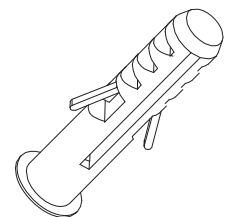
12

8mm x 65mm  
**LAG BOLT**  
TORNILLO DE FIJACIÓN  
TIRE-FOND  
X 4



13

**LAG BOLT**  
**STEEL WASHER**  
ARANDELA DE ACERO  
PARA TORNILLO DE FIJACIÓN  
RONDELLE EN ACIER  
POUR TIRE-FOND  
X 4



14

**WALL ANCHOR**  
ANCLAJE DE PARED  
MUR ANCRAGE  
X 4

**PRODUCT COMPONENT PARTS**  
**COMPONENTES DEL PRODUCTO**  
**PIÈCES COMPOSANTES DU PRODUIT**

**Flat Panel Mounting Pattern (W x H)**

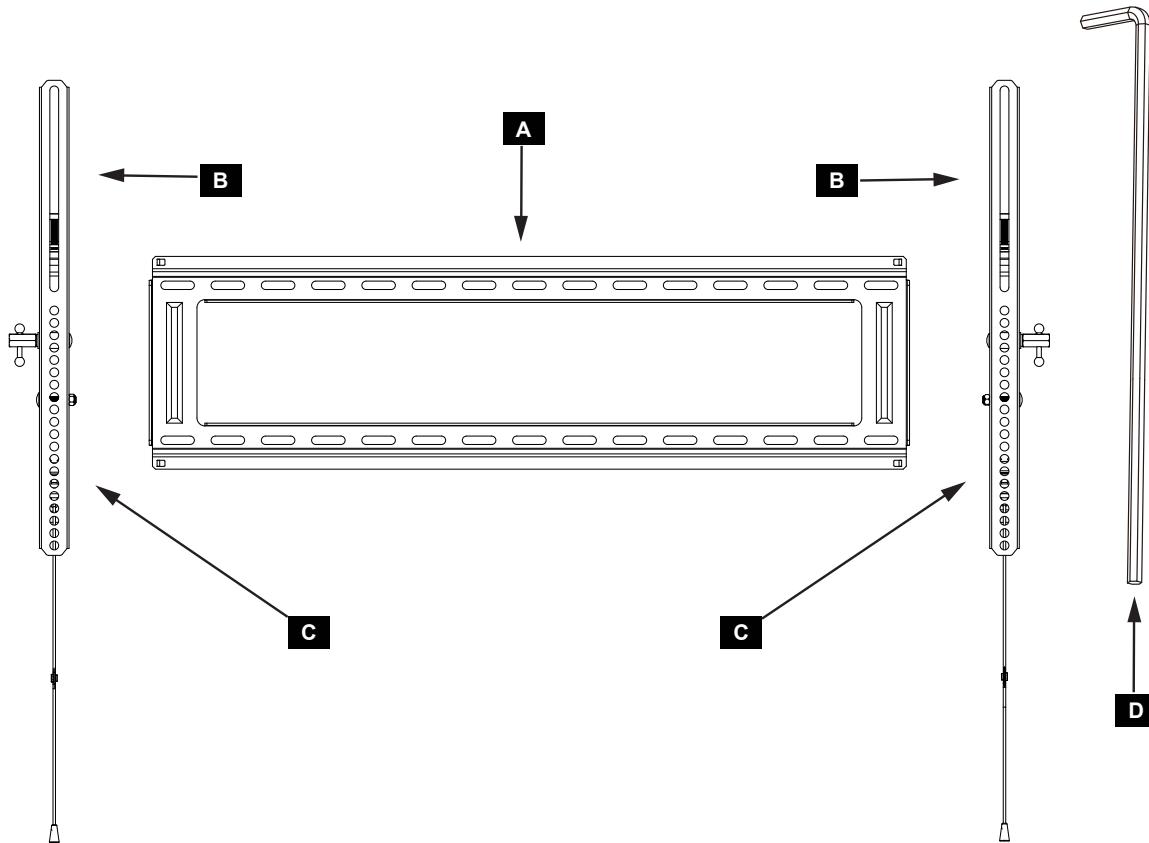
Minimum: 100mm x 100mm  
 Maximum: 700mm x 450mm

**Patrón de montaje de la TV de pantalla plana (W x H)**

Mínimo: 100 mm x 100 mm  
 Máximo: 700 mm x 450 mm

**Schéma de montage de l'écran plat (L x H)**

Minimum : 100 mm x 100 mm  
 Maximum : 700 mm x 450 mm



Contents		
A	1	Wall Plate
B	2	Vertical Rails
C	2	Locking Mechanism
D	1	5mm Allen Key

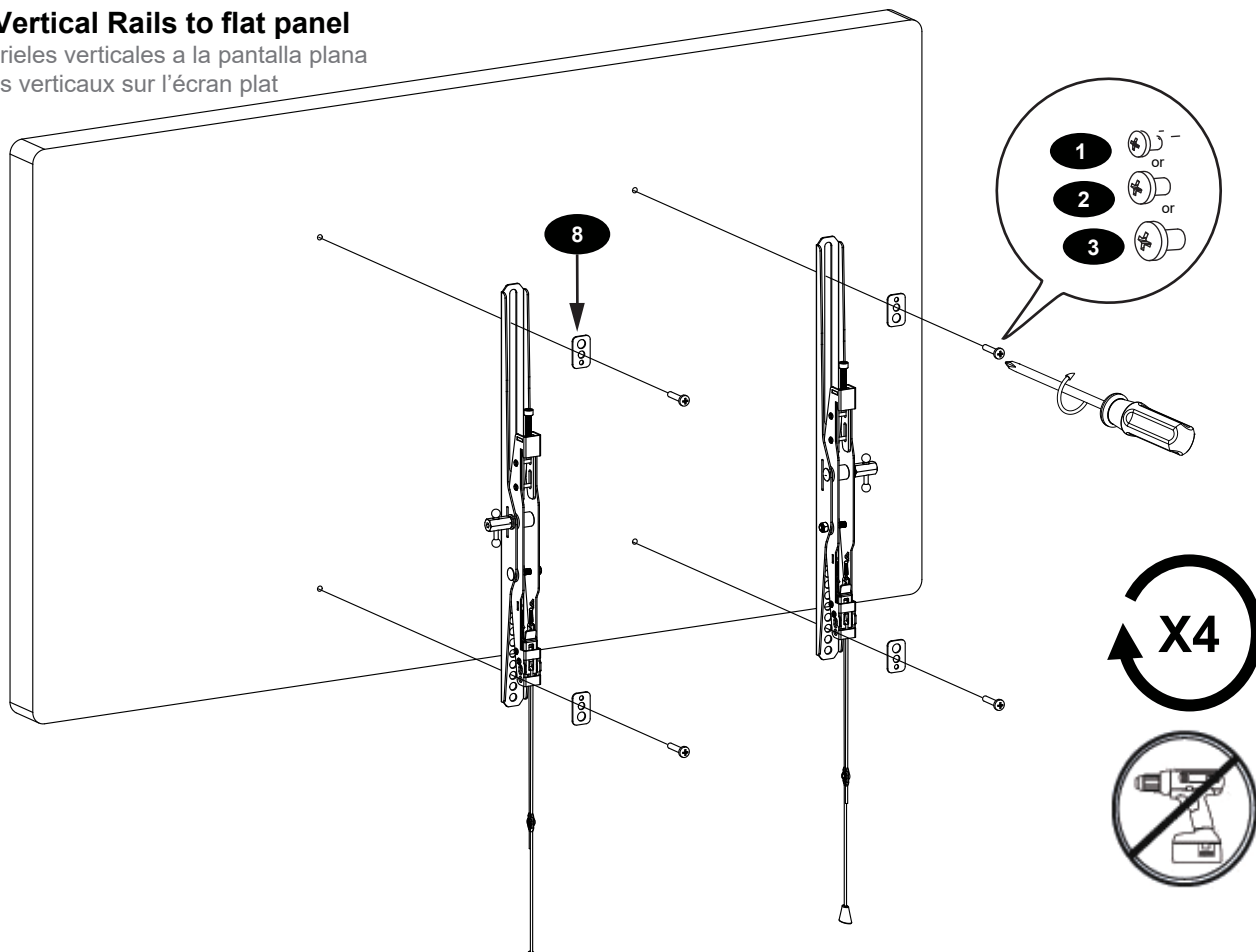
Contenido		
A	1	Placa de pared
B	2	Rieles verticales
C	2	Mecanismo de bloqueo
D	1	Llave Allen de 5 mm

Contenu		
A	1	Plaque murale
B	2	Rails verticaux
C	2	Mécanisme de verrouillage
D	1	Clé hexagonale de 5 mm

**STEP 1A - FLAT BACK FLAT PANEL (VERTICAL RAILS)**  
**PASO 1A - PARTE POSTERIOR PLANA TV DE PANTALLA PLANA (RIELES VERTICALES)**  
**ÉTAPE 1A - ÉCRAN PLAT À DOS PLAT (RAILS VERTICAUX)**

**Connect Vertical Rails to flat panel**

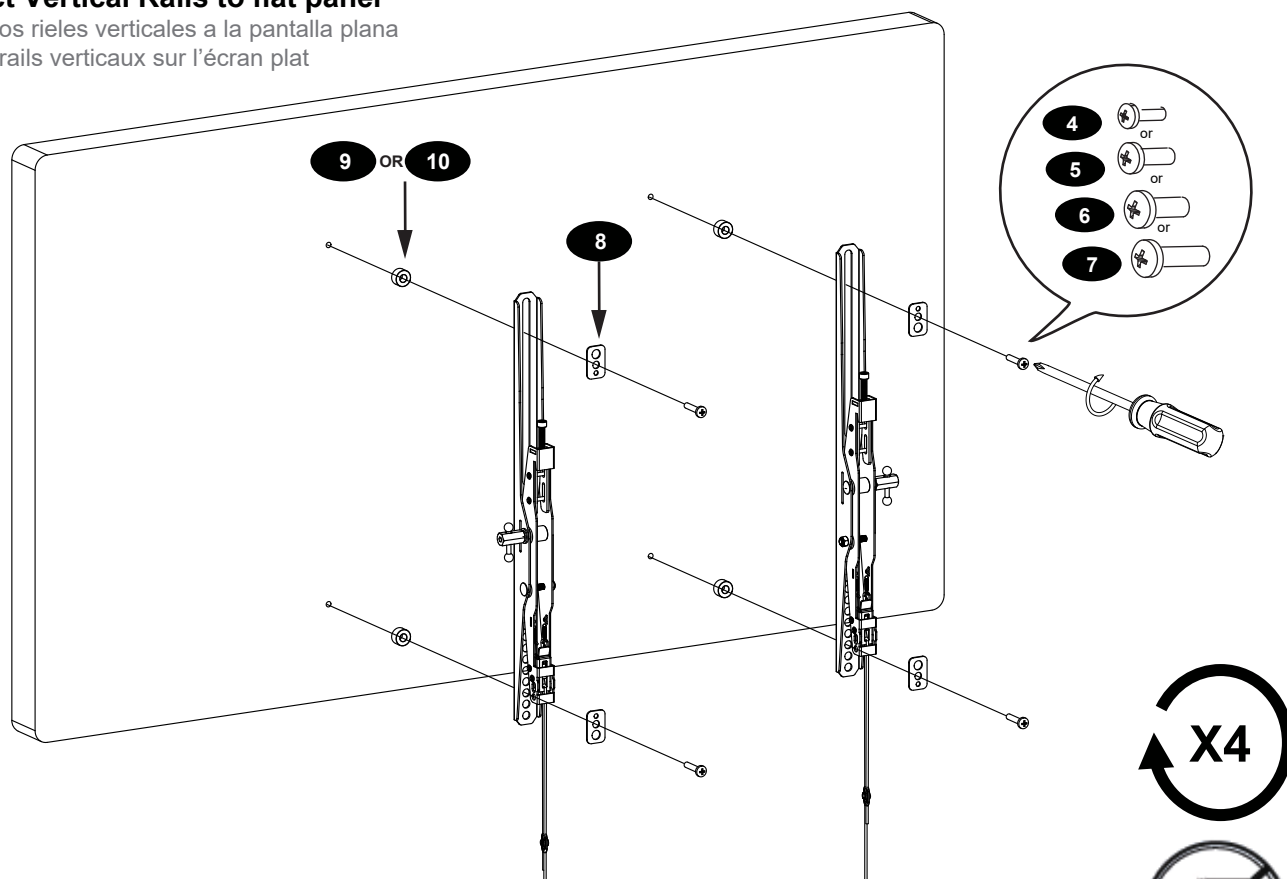
Conecte los rieles verticales a la pantalla plana  
 Fixez les rails verticaux sur l'écran plat



**STEP 1B - CURVED BACK FLAT PANEL (VERTICAL RAILS)**  
**PASO 1B - PANEL TRASERO CURVO DETV DE PANTALLA PLANA (RIELES VERTICALES)**  
**ÉTAPE 1B - ÉCRAN PLAT À DOS COURBÉ (RAILS VERTICAUX)**

**Connect Vertical Rails to flat panel**

Conecte los rieles verticales a la pantalla plana  
 Fixez les rails verticaux sur l'écran plat



Spacers can also be used to provide clearance for cables and connectors

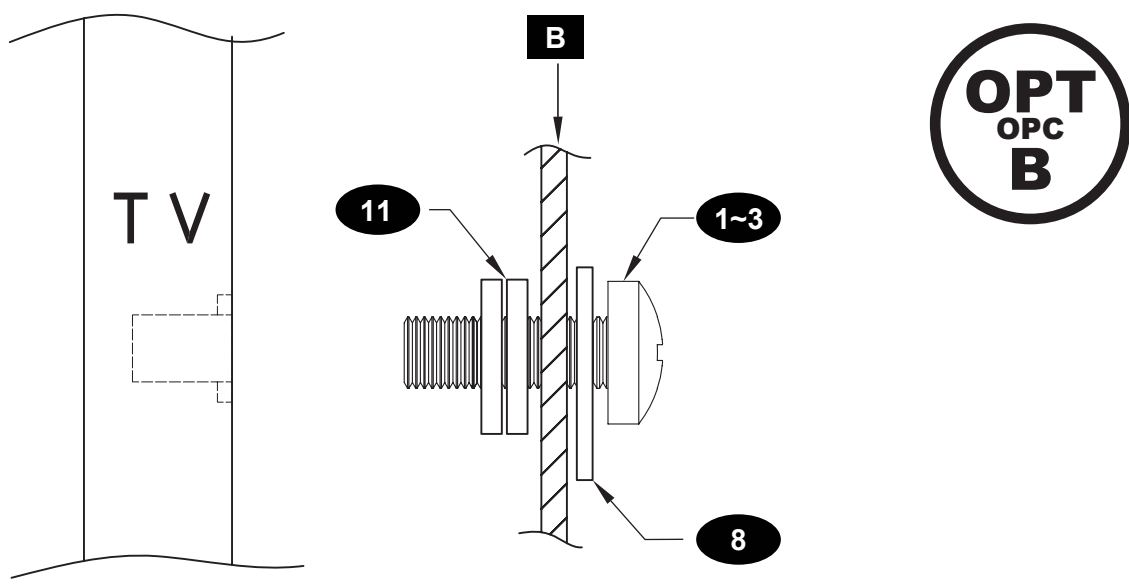
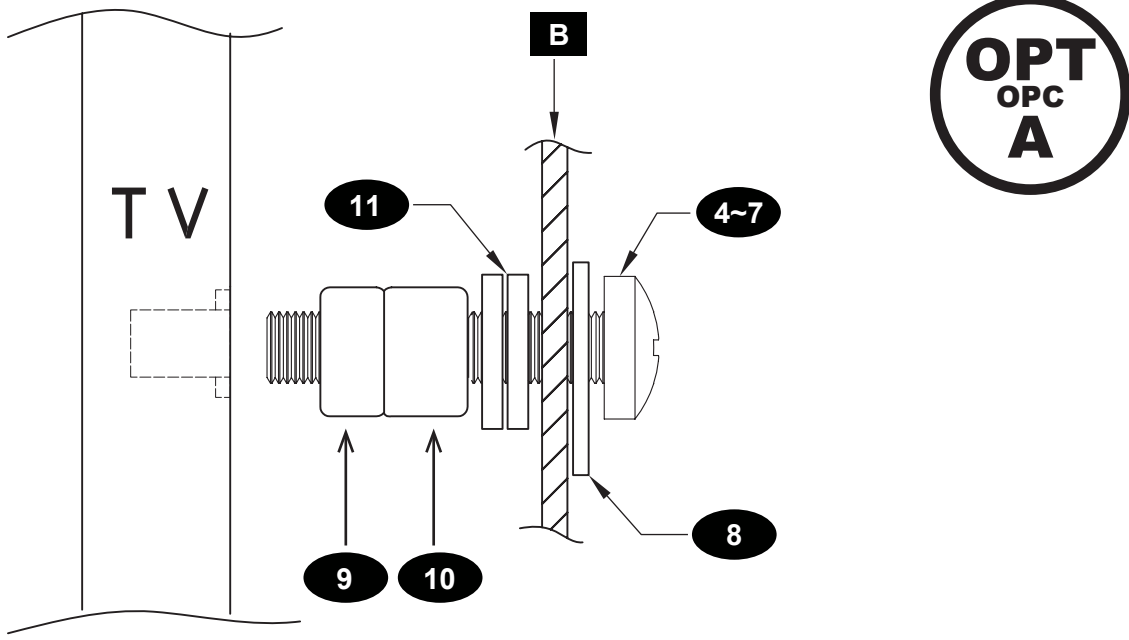
También se pueden utilizar separadores para dejar espacio para los cables y conectores

Les entretoises peuvent également être utilisées pour fournir un dégagement pour les câbles et les connecteurs

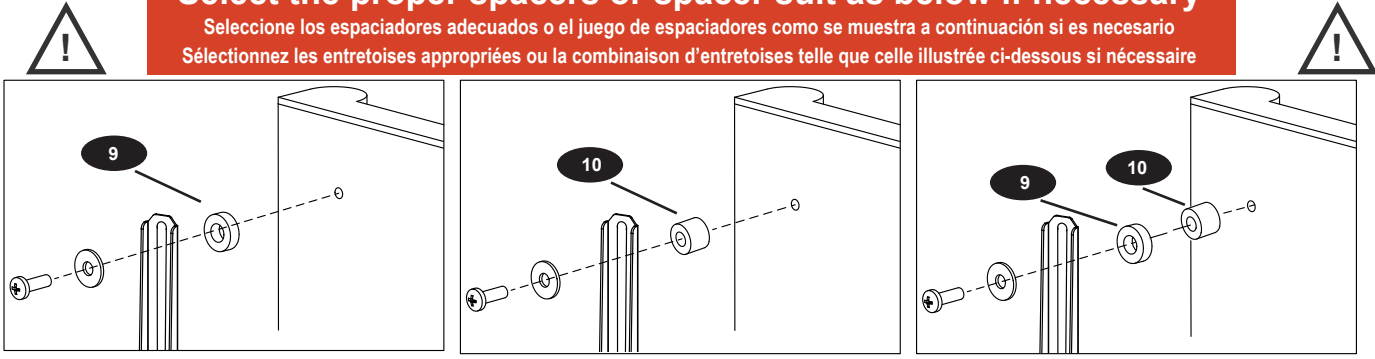


**STEP 1- USE M8 STEEL WASHER IF THE PHILLIPS SCREWS FROM THE MONITOR KIT ARE TOO LONG**  
**PASO 1- UTILICE LA ARANDELA DE ACERO M8 SI LOS TORNILLOS PHILLIPS DEL JUEGO DE ACCESORIOS DE MONTAJE DEL MONITOR SON DEMASIADO LARGOS**  
**ÉTAPE 1- UTILISER LA RONDELLE EN ACIER M8 SI LES VIS CRUCIFORMES DU KIT DU MONITEUR SONT TROP LONGUES**

Diagrams show two options for using additional washers if hardware screws are too long to properly tighten into back of flat panel television.  
 Los diagramas muestran dos opciones para usar arandelas adicionales si los tornillos son demasiado largos para apretarlos correctamente en la parte posterior del televisor de pantalla plana.  
 Les diagrammes montrent deux options pour l'utilisation de rondelles supplémentaires si les vis du matériel sont trop longues pour être correctement serrées à l'arrière du téléviseur à écran plat.



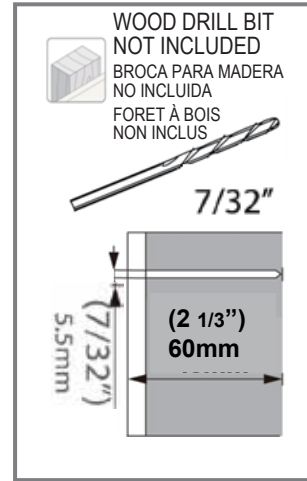
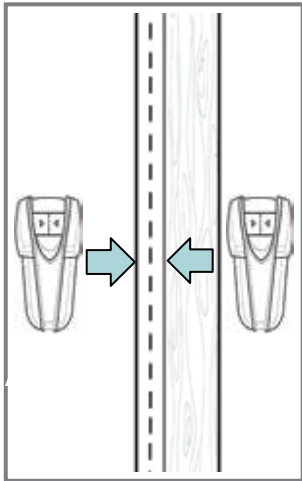
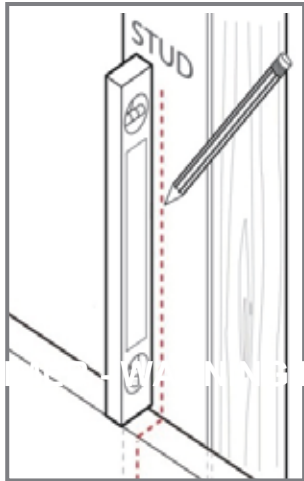
**Select the proper spacers or spacer suit as below if necessary**  
 Seleccione los espaciadores adecuados o el juego de espaciadores como se muestra a continuación si es necesario  
 Sélectionnez les entretoises appropriées ou la combinaison d'entretoises telle que celle illustrée ci-dessous si nécessaire



**STEP 2- WOOD STUD INSTALLATION (CONCRETE INSTALLATION SKIP TO STEP 3)**  
**PASO 2- INSTALACIÓN EN PARED CON MONTANTES DE MADERA (PARA LA INSTALACIÓN EN CONCRETO SALTE AL PASO 3)**  
**ÉTAPE 2 - INSTALLATION SUR MONTANTS EN BOIS (EN CAS D'INSTALLATION SUR UNE STRUCTURE EN BÉTON, PASSEZ À L'ÉTAPE 3)**

**Find stud and mark edge and center locations**

Encuentre el poste de madera y marque la ubicación de los bordes y el centro  
 Trouvez les emplacements des montants et marquez les bords et les centres



**STEP 2A & 2B- LOCATE WOOD STUDS AND DRILL PILOT HOLES**

**PASO 2A Y 2B: UBIQUE LOS POSTES DE MADERA Y PERFORE ORIFICIOS GUÍA**

**ÉTAPE 2A et 2B - LOCALISEZ LES MONTANTS EN BOIS ET PERCEZ LES TROUS DE RÉFÉRENCE**

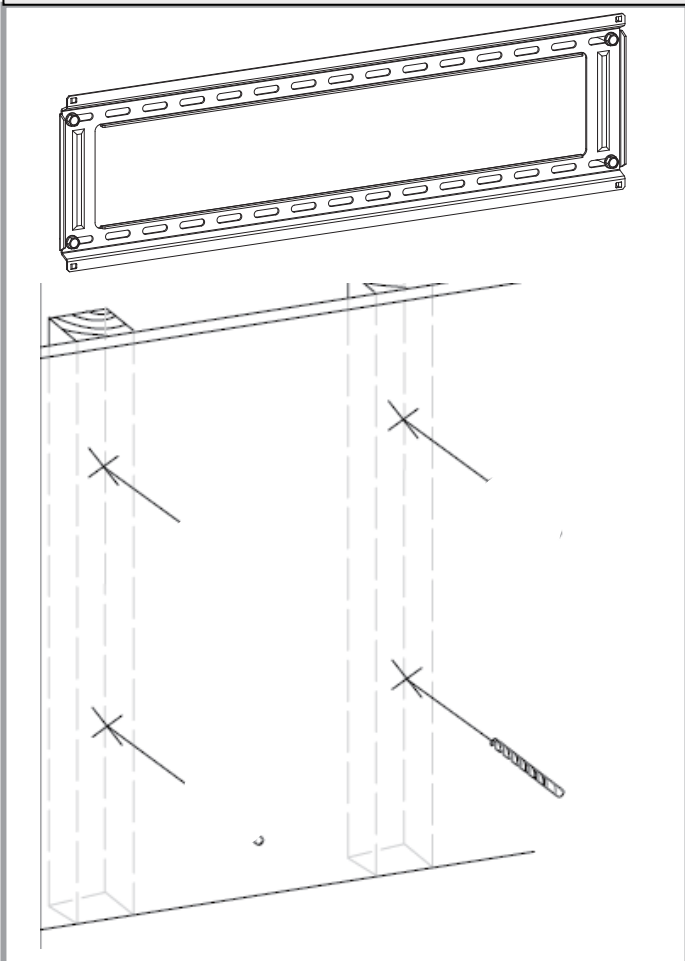
**Drill pilot hole**

Taladre el orificio guía  
 Percez un trou de référence

**Mark center of wood using stud finder and pencil, use wall plate to level and mark pilot holes.**

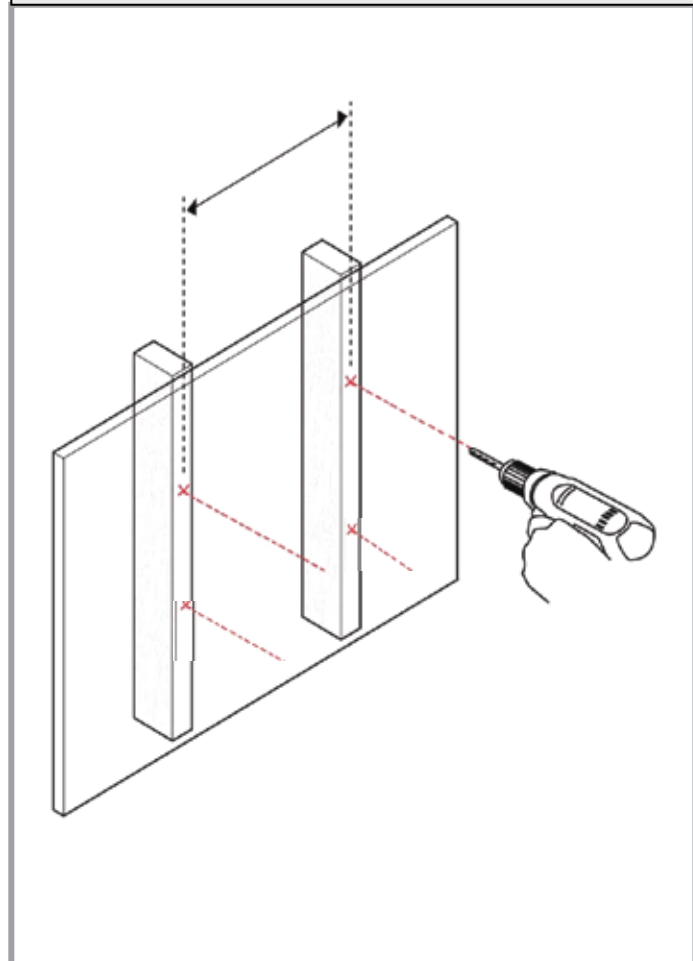
Utilice un escáner de pared para ubicar el centro del montante de madera y marque con un lápiz, use la placa para nivelar y marcar los orificios guía.

Marquez le centre du bois à l'aide d'un détecteur de montants et d'un crayon, utilisez une plaque murale pour niveler et marquer les trous de référence.



**Drill 4 pilot holes**

Taladre 4 orificios guía  
 Percez 4 trous de référence



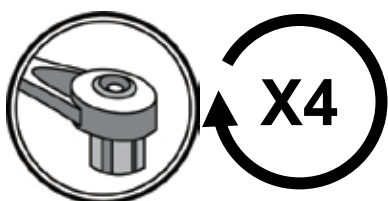
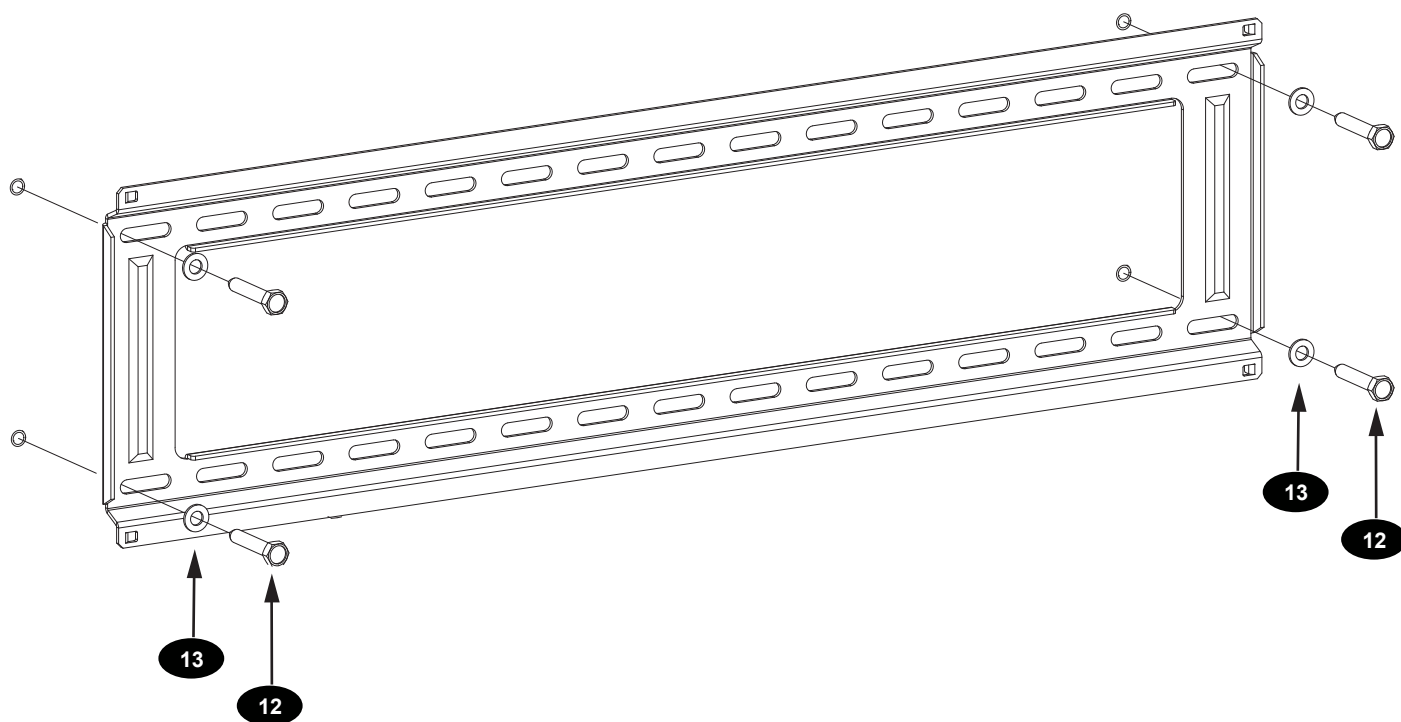
**STEP 2C- MOUNT WALL PLATE TO WALL**  
**PASO 2C - FIJE LA PLACA EN LA PARED**  
**ÉTAPE 2C - MONTAGE DE LA PLAQUE MURALE AU MUR**

**Mount wall plate**

Coloque la placa de pared  
Montez la plaque murale

**Works with 16" or 24" stud spacing.**

Funciona con espaciamento entre montantes de 16" o 24"  
Fonctionne avec un espacement des montants de 16 po ou 24 po.

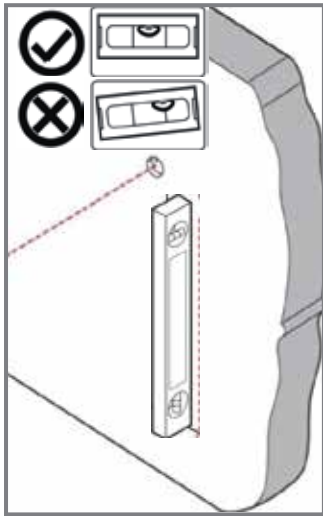


**STEP 3 - SOLID CONCRETE INSTALLATION**  
**PASO 3 - INSTALACIÓN EN PARED DE CONCRETO SÓLIDO**  
**ÉTAPE 3 - INSTALLATION SUR BÉTON MASSIF**

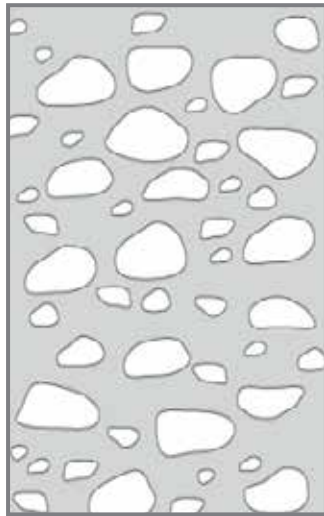
**Use wall plate to mark mounting locations/ drill pilot holes**

Utilice la placa de pared para marcar los orificios a la altura deseada / taladre los orificios guía  
 Utilisez une plaque murale pour marquer les emplacements de montage/percer les trous de référence

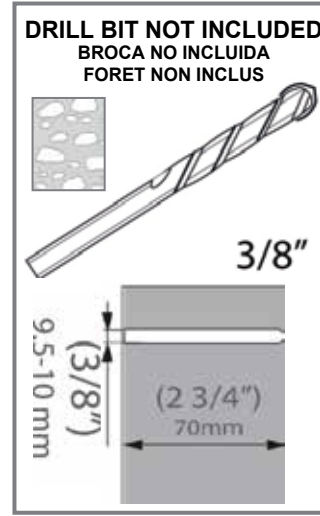
**Level**  
**Nivel**  
**Mettre à niveau**



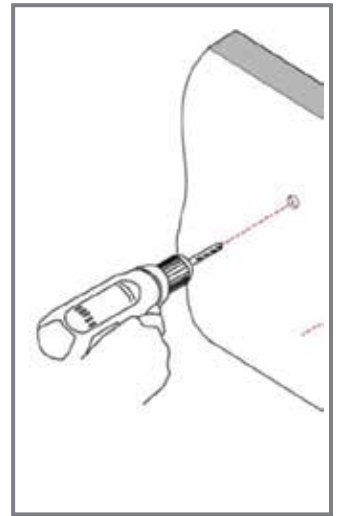
**Solid Concrete**  
**Concreto sólido**  
**Béton**



**Drill Bit**  
**Broca**  
**Foret**



**Drill Pilot Hole**  
**Taladre el orificio guía**  
**Percez le trou de référence**



**STEP 3A & 3B - POSITION WALL PLATE, MARK, & DRILL PILOT HOLES**

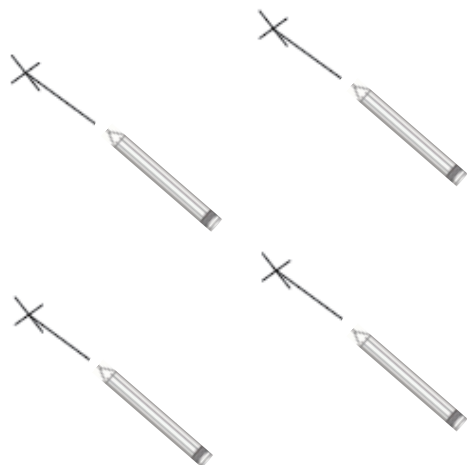
**PASO 3A Y 3B - POSICIONE LA PLACA DE PARED, MARQUE Y TALADRE LOS ORIFICIOS GUÍA**

**ÉTAPE 3A et 3B - POSITIONNEZ LA PLAQUE MURALE, MARQUEZ ET PERCEZ LES TROUS DE RÉFÉRENCE**

**Position wall plate to desired location, level, and mark pilot locations with pencil.**

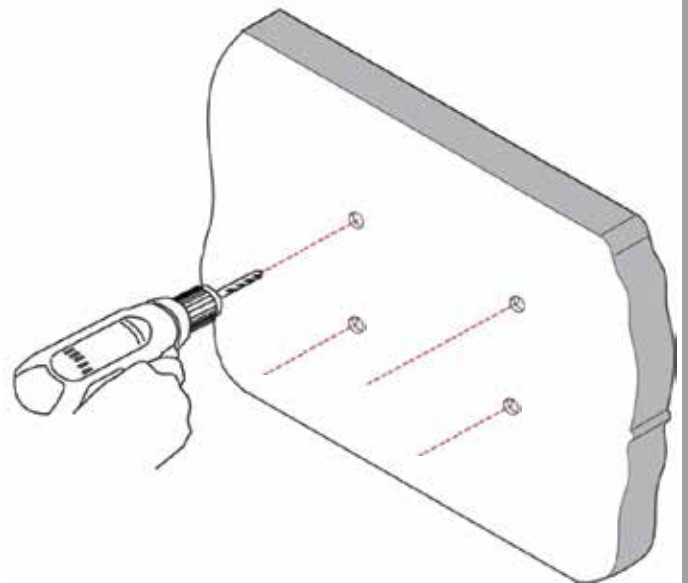
Ubique la placa a la altura deseada, nivele y marque los orificios de la pieza con un lápiz.

Positionnez la plaque murale à l'emplacement souhaité, mettez à niveau et marquez les emplacements des trous de référence avec un crayon.



**Drill 4 pilot holes**

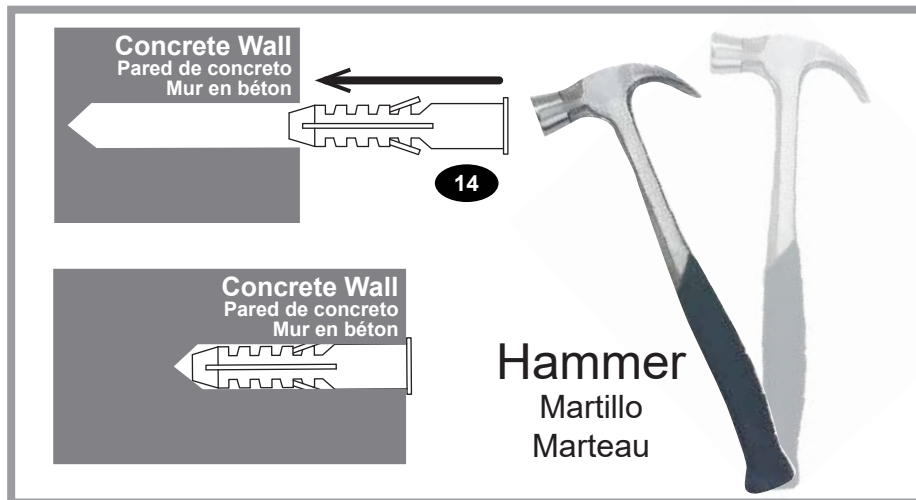
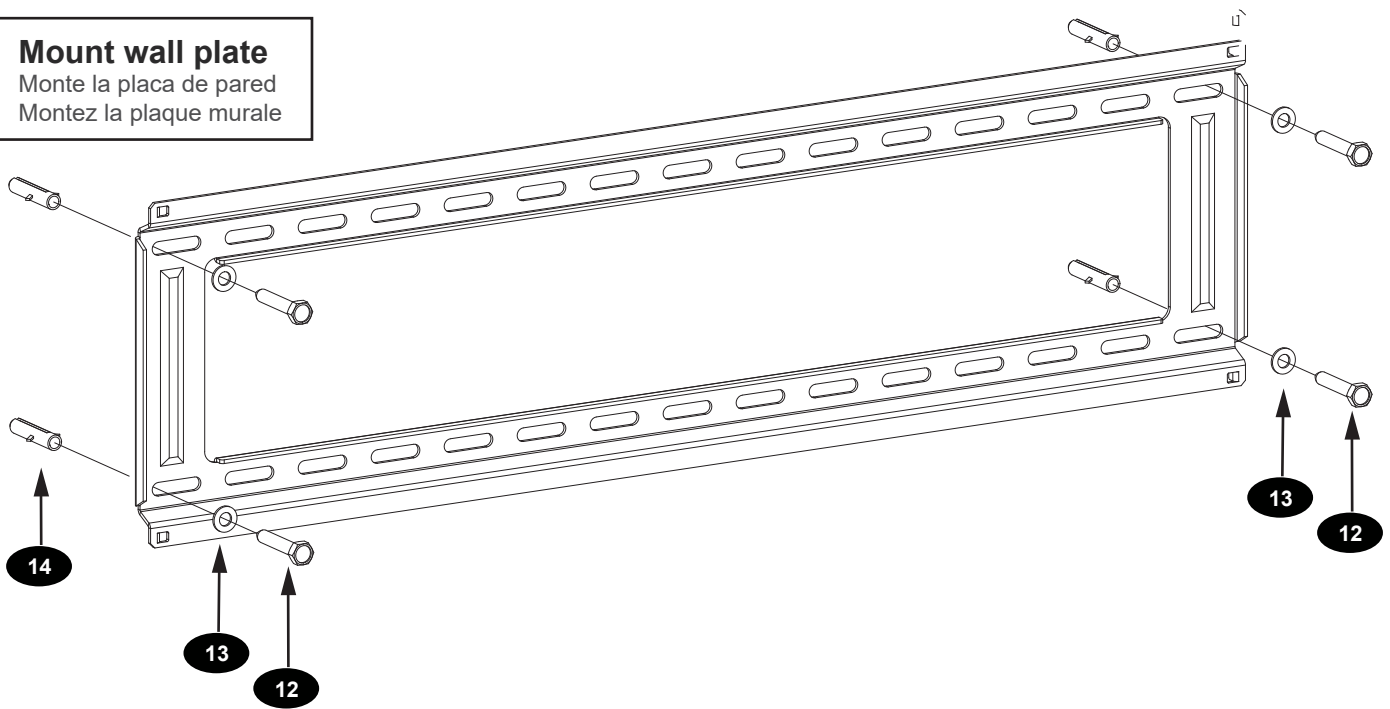
Taladre 4 orificios guía  
 Percez 4 trous de référence



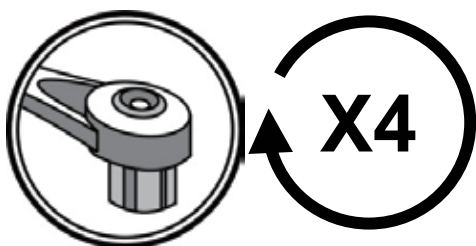


**STEP 3C- SOLID CONCRETE INSTALLATION**  
**PASO 3C- INSTALACIÓN EN PARED DE CONCRETO SÓLIDO.**  
**ÉTAPE 3C - INSTALLATION SUR DU BÉTON.**

**Mount wall plate**  
Monte la placa de pared  
Montez la plaque murale



**Insert wall Anchors gently into concrete wall with hammer if necessary**  
Inserte los anclajes de pared suavemente en el muro de concreto con un martillo si es necesario  
Insérez doucement les ancrages muraux dans le mur en béton avec un marteau si nécessaire



# STEP 4A- ATTACH PANEL TO WALL PLATE & ADJUST TILT ANGLE

## PASO 4A- FIJE EL PANEL A LA PLACA DE PARED Y AJUSTE EL ÁNGULO DE INCLINACIÓN

### ÉTAPE 4A - FIXEZ L'ÉCRAN PLAT À LA PLAQUE MURALE ET AJUSTEZ L'ANGLE D'INCLINAISON

#### Hang vertical rails with monitor attached

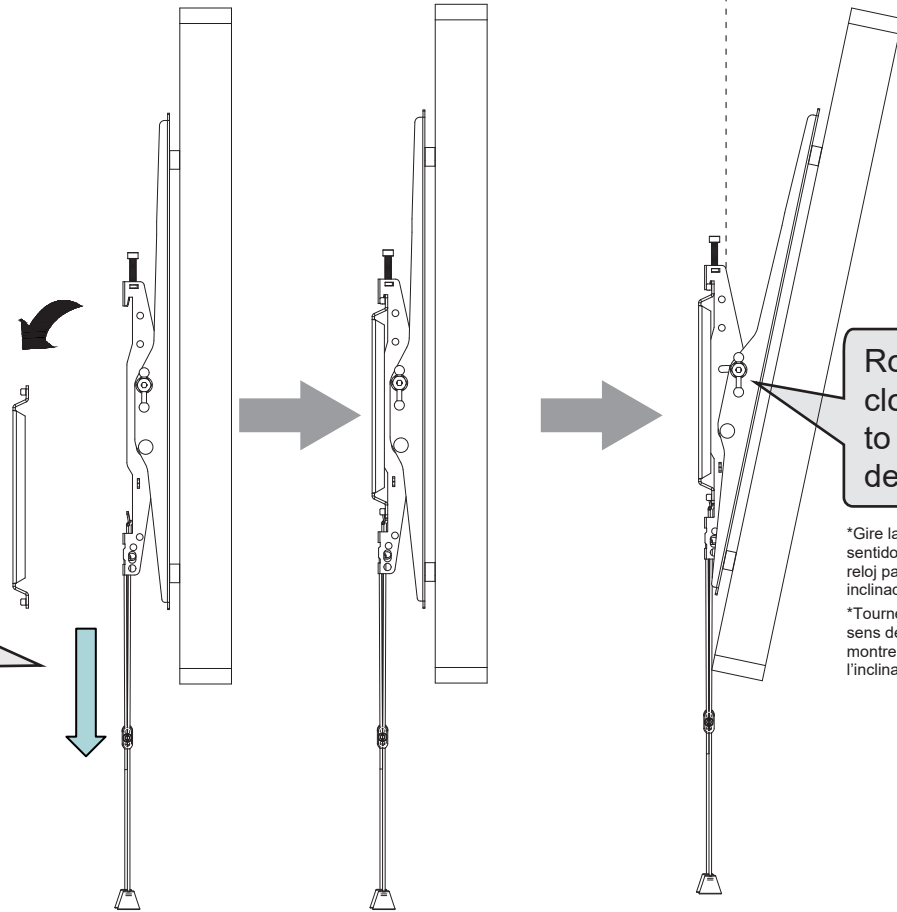
Cuelgue los rieles verticales con el monitor asegurado  
Accrochez les rails verticaux avec le moniteur attaché



Pull spring lock cord down and gently push bottom of panel to wall and release spring lock. Panel is now locked on to wall plate.\*

\*Tire del cordón con bloqueo de resorte hacia abajo, empuje suavemente la parte inferior de la pantalla hacia la pared y suelte el bloqueo de resorte. La pantalla ahora está asegurada a la placa de pared.

\*Tirez le cordon de verrouillage à ressort vers le bas et poussez doucement le bas de l'écran plat contre le mur, puis relâchez le verrouillage à ressort. L'écran plat est maintenant verrouillé sur la plaque murale.

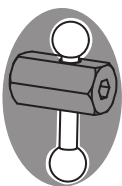
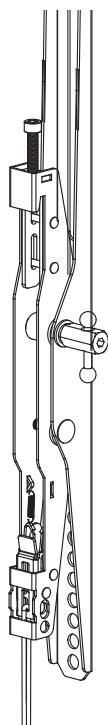


**STEP 4A- ATTACH PANEL TO WALL PLATE & ADJUST TILT ANGLE**  
**PASO 4A- FIJE EL PANEL A LA PLACA DE PARED Y AJUSTE EL ÁNGULO DE INCLINACIÓN**  
**ÉTAPE 4A - FIXEZ L'ÉCRAN PLAT À LA PLAQUE MURALE ET AJUSTEZ L'ANGLE D'INCLINAISON**

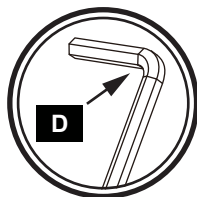
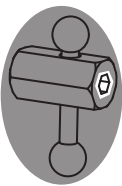
**Rotate lever clockwise to hold desired tilt**

Gire la palanca en el sentido de las agujas del reloj para mantener la inclinación deseada

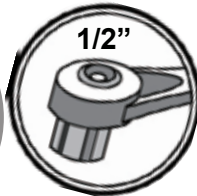
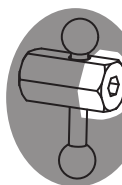
Tournez le levier dans le sens des aiguilles d'une montre pour maintenir l'inclinaison souhaitée



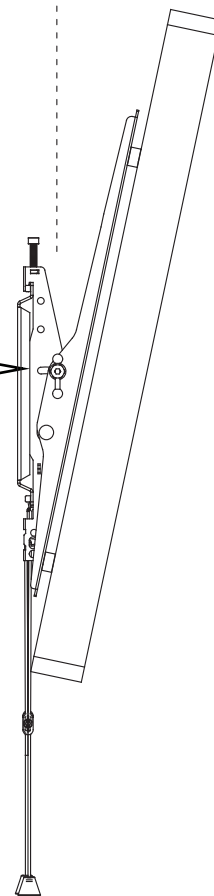
or o ou



or o ou

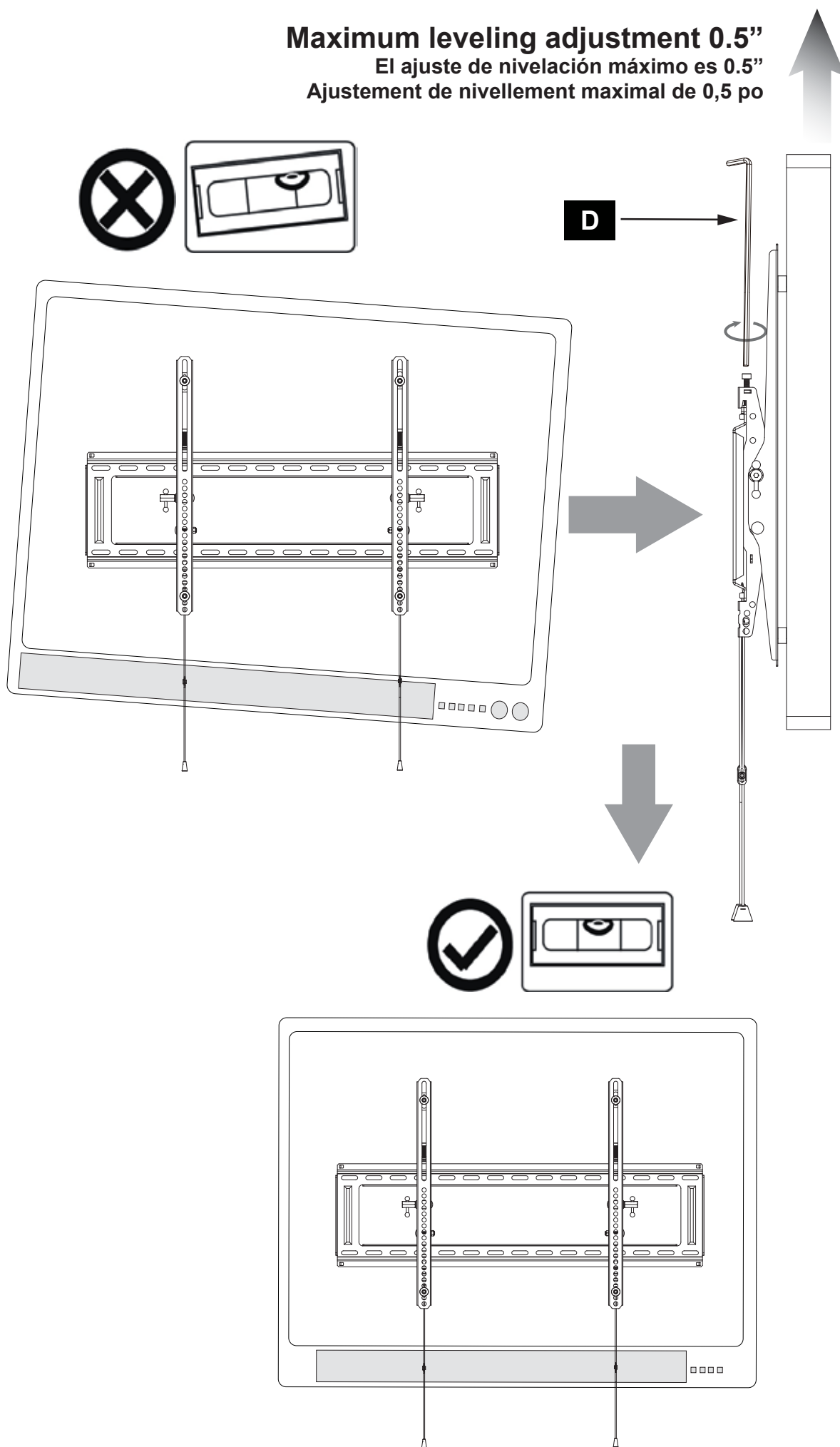


Tilt  
Inclinación  
Inclinaison  
-3°~12°



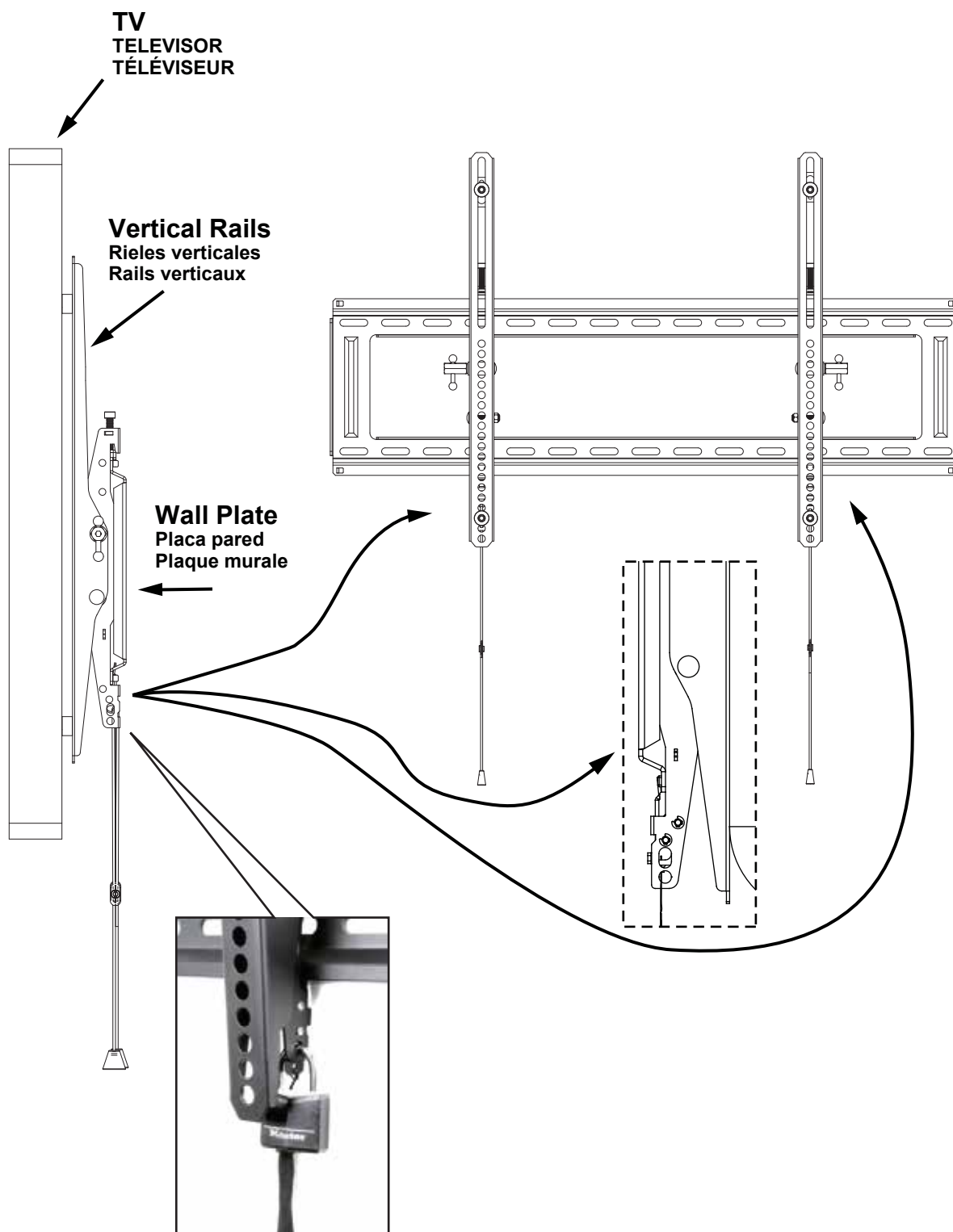
**STEP 4B- ADJUST THE SCREWS ON THE VERTICALS TO LEVEL THE FLAT PANEL**  
**PASO 4B- AJUSTE LOS TORNILLOS DE LAS RIELES VERTICALES PARA NIVELAR LA PANTALLA PLANA**  
**ÉTAPE 4B - AJUSTEZ LES VIS SUR LES RAILS VERTICAUX POUR NIVELER L'ÉCRAN PLAT**

**Maximum leveling adjustment 0.5"**  
**El ajuste de nivelación máximo es 0.5"**  
**Ajustement de nivellement maximal de 0,5 po**



**STEP 4C- ADDITIONAL SECURITY FEATURE (OPTIONAL)**  
**PASO 4C: CARACTERÍSTICA DE SEGURIDAD ADICIONAL (OPCIONAL)**  
**ÉTAPE 4C - FONCTION DE SÉCURITÉ SUPPLÉMENTAIRE (FACULTATIVE)**

**Option**  
Opción

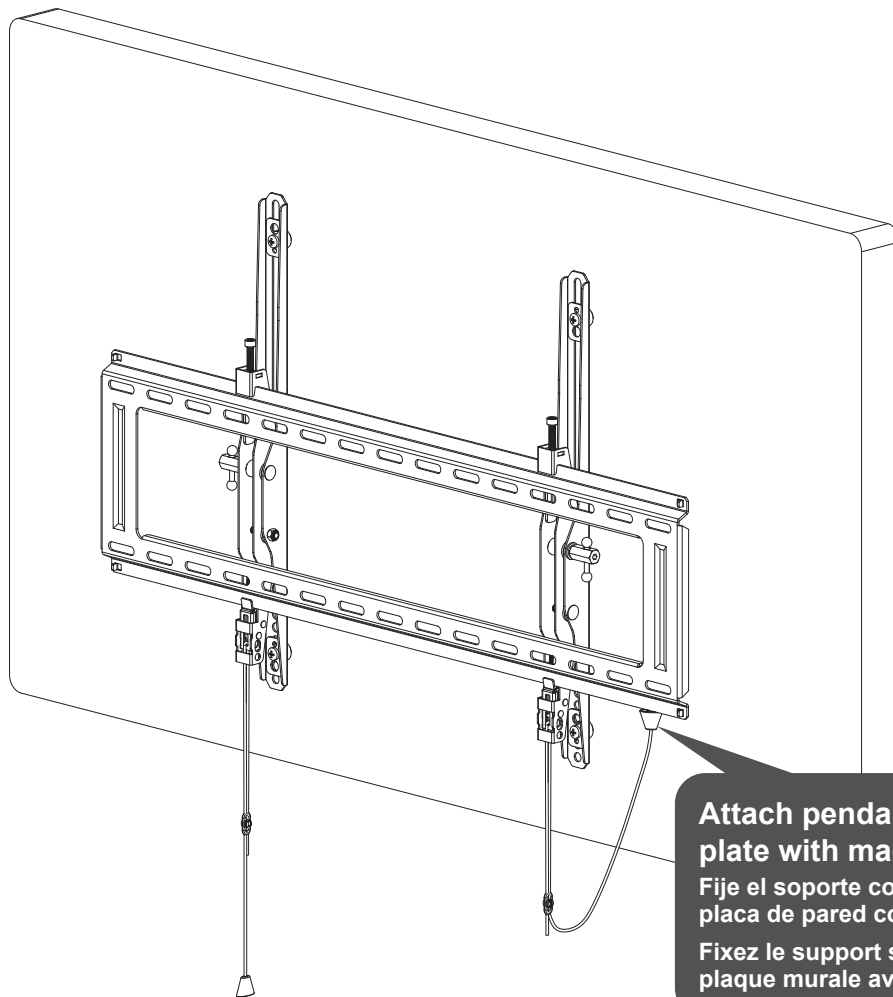


**Vertical Rails have 7mm hole located at the bottom for placement of pad lock for additional (theft) security (pad lock not included)**

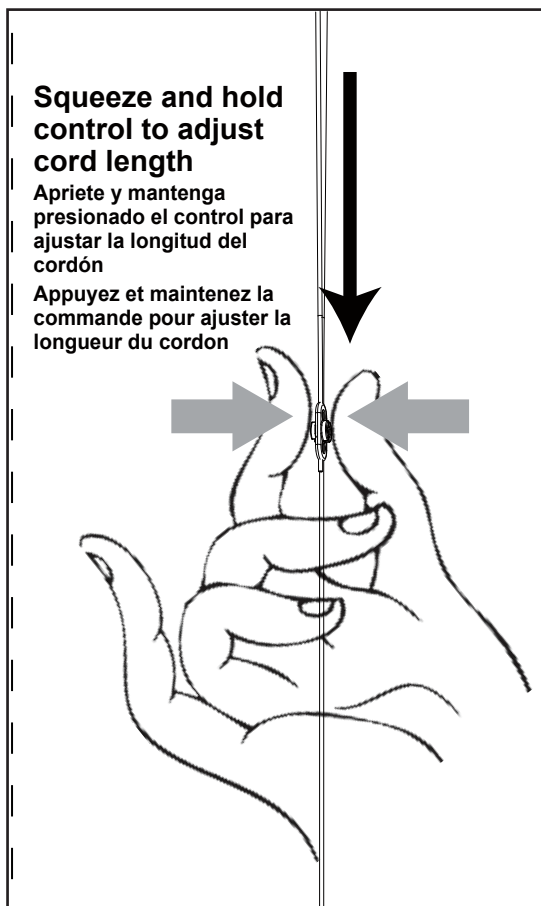
Los rieles verticales tienen un orificio de 7 mm ubicado en la parte inferior para colocar un candado para mayor seguridad contra robos (candado no incluido)

Les rails verticaux sont dotés de trous de 7 mm situé sur la partie inférieure afin de permettre le placement d'un cadenas à titre de mesure antivol supplémentaire (cadenas non inclus)

**STEP 4D - ADJUST STRAP LENGTH (OPTIONAL)**  
**PASO 4D - AJUSTE LA LONGITUD DE LA CORREA (OPCIONAL)**  
**ÉTAPE 4D - AJUSTEZ LA LONGUEUR DE LA SANGLE (EN OPTION)**



**Attach pendant to wall plate with magnet.**  
Fije el soporte colgante a la placa de pared con el imán.  
Fixez le support suspendu à la plaque murale avec un aimant.



**Squeeze and hold control to adjust cord length**  
Apriete y mantenga presionado el control para ajustar la longitud del cordón  
Appuyez et maintenez la commande pour ajuster la longueur du cordon

## 1. Limited Warranty

### a. General

Subject to the terms and conditions of this Limited Warranty, from the date of sale through the period of time for product categories specified in Section 1(b), ADI warrants AVARRO branded products to be free from defects in materials and workmanship under normal use and service, normal wear and tear excepted. Except as required by law, this Limited Warranty is only made to Buyer and may not be transferred to any third party.

ADI shall have no obligation under this Limited Warranty or otherwise if:

- (i) The product is improperly installed, applied or maintained;
- (ii) The product is installed outside of stated operating parameters, altered, or improperly services or repaired;
- (iii) Damage is caused by outside natural occurrences, such as lightning, power surges, fire, floods, acts of nature, or the like.
- (iv) Defects resulting from unauthorized modification, misuse, vandalism, or other causes unrelated to defective materials or workmanship, or failures related to batteries of any type used in connection with the products sold hereunder.

ADI only warrants those products branded AVARRO and sold by ADI. Any other products branded by third parties are warranted by the third party manufacturer for a period as defined by the third party manufacturer, and ADI assigns to Buyer those warranties and only those warranties extended by such third party manufacturers or vendors for non-ADI branded products. ADI does not itself warrant any non-ADI branded product and sells only on an as is basis in accordance with ADI's terms and conditions of sale.

### b. Specific Warranties for product categories are as follows:

Product Categories	Warranty Period
Mounts	5 years
Rack	5 years

## 2. EXCLUSION OF WARRANTIES, LIMITATION OF LIABILITY

THERE ARE NO WARRANTIES OR CONDITIONS, EXPRESS OR IMPLIED, OF MERCHANTABILITY, OR FITNESS FOR A PARTICULAR PURPOSE OR OTHERWISE, WHICH EXTEND BEYOND THE DESCRIPTION ON THE FACE HEREOF. TO THE FULLEST EXTENT PERMITTED BY LAW, IN NO CASE SHALL ADI BE LIABLE TO ANYONE FOR ANY (I) CONSEQUENTIAL, INCIDENTAL, INDIRECT, SPECIAL, OR PUNITIVE DAMAGES ARISING OUT OF OR RELATING IN ANY WAY TO THE PRODUCT AND/OR FOR BREACH OF THIS OR ANY OTHER WARRANTY OR CONDITION, EXPRESS OR IMPLIED, OR UPON ANY OTHER BASIS OF LIABILITY WHATSOEVER, EVEN IF THE LOSS OR DAMAGE IS CAUSED BY ADI'S OWN NEGLIGENCE OR FAULT AND EVEN IF ADI HAS BEEN ADVISED OF THE POSSIBILITY OF SUCH LOSSES OR DAMAGES. Any product description (whether in writing or made orally by ADI or ADI's agents), specifications, samples, models, bulletin, drawings, diagrams, engineering sheets, or similar materials used in connection with the Buyer's order are for the sole purpose of identifying ADI's products and shall not be construed as an express warranty or condition. Any suggestions by ADI or ADI's agents regarding use, applications or suitability of the products shall not be construed as an express warranty or condition unless confirmed to be such in writing by ADI. ADI does not represent that the products it sells may not be compromised or circumvented; that the products will prevent any personal injury or property loss by burglary, robbery, fire or otherwise, or that the products will in all cases provide adequate warning or protection. Buyer understands and will cause its customer to understand that a properly installed and maintained product is not insurance or guarantee that such will not cause or lead to personal injury or property loss. CONSEQUENTLY ADI SHALL HAVE NO LIABILITY FOR ANY PERSONAL INJURY, PROPERTY DAMAGE OR OTHER LOSS BASED ON ANY CLAIM AT ALL INCLUDING A CLAIM THAT THE PRODUCT FAILED TO GIVE WARNING. However, if ADI is held liable whether directly or indirectly for any loss or damage with respect to the products it sells, regardless of cause or origin, its maximum liability shall not in any case exceed the purchase price of the product, which shall be fixed as liquidated damages and not as a penalty and shall be the complete and exclusive remedy against ADI.

### 3. Limitation on Liability to Buyer's Customers.

Buyer agrees to limit liability to its customers to the fullest extent permitted by law. Buyer acknowledges that ADI shall only be deemed to give consumers of its products such statutory warranties as may be required by law and at no time shall Buyer represent to its customers and/or users of ADI products that ADI provides any additional warranties. By accepting the products, to the fullest extent permitted by law, Buyer assumes all liability for, and agrees to indemnify and hold ADI harmless against and defend ADI from, any and all suits, claims, demands, causes of action and judgments relating to damages, whether for personal injury or to personal property, suffered by any person, firm, corporation or business association, including but not limited to, Buyer's customers and/or users of the products because of any failure of the products to detect and/or warn of the danger for which the goods were designed or any other failure of the products whether or not such damages are caused or contributed to by the sold or joint concurring negligence or fault of ADI.

#### **4. Returns**

Subject to the terms and conditions listed below, during the applicable warranty period, ADI will replace Product or provide a credit at purchase at its sole option free of charge any defective products returned prepaid. Any obligations of ADI to replace Limited Lifetime warranty products pursuant to this warranty which result from defect are limited to the availability of replacement product. ADI reserves the right to replace any such products with the then currently available products, or provide a credit in its sole discretion. In the event Buyer has a problem with any ADI product, please call your local ADI branch for return instructions:

For US call 1-800-233-6261  
For Canada call 877-234-7378  
For Puerto Rico call 787-793-8830

Be sure to have the model number and the nature of the problem available. In the event of replacement, the return product will be credited to Buyer's account and a new invoice issued for the replacement item. ADI reserves the right to issue a credit only in lieu of replacement.

If any AVARRO branded products are found to be in good working order or such product's inability to function properly is a result of user damage or abuse, the product will be returned to Buyer in the same condition as received and Buyer shall be responsible for any return freight charges.

#### **5. Governing Law**

The laws of State of New York apply to this Limited Warranty.

#### **6. Miscellaneous**

Where any term of this Limited Warranty is prohibited by such laws, it shall be null and void, but the remainder of the Limited Warranty shall remain in full force and effect.



## 1. Garantía limitada

### a. General

Sujeto a los términos y condiciones de esta Garantía limitada, desde la fecha de venta hasta el período correspondiente a las categorías de productos especificadas en la Sección 1(b), ADI garantiza que los productos de la marca AVARRO están libres de defectos en los materiales y de mano de obra en condiciones de uso y servicio normales, excepto por el desgaste normal. Salvo que lo exija la ley, esta Garantía limitada se otorga únicamente al Comprador y no puede ser cedida a ningún tercero.

ADI no tendrá ninguna obligación en virtud de esta Garantía limitada ni de ningún otro concepto si:

- (i) El producto se instala, aplica o mantiene de manera incorrecta.
- (ii) El producto se instala fuera de los parámetros de funcionamiento indicados, se altera o es objeto de mantenimiento o reparaciones inadecuados.
- (iii) El daño es causado por sucesos naturales externos, como rayos, sobrecargas eléctricas, incendios, inundaciones, fenómenos de la naturaleza o similares.
- (iv) Los defectos son consecuencia de modificaciones no autorizadas, uso indebido, vandalismo u otras causas no relacionadas con materiales defectuosos ni con defectos de fabricación, o fallas relacionados con baterías de cualquier tipo utilizadas con los productos vendidos según el presente documento.

ADI solo garantiza los productos de la marca AVARRO y vendidos por ADI. Cualquier otro producto con marca de terceros está garantizado por el fabricante externo por un período definido por ese fabricante, y ADI asigna al Comprador esas garantías y solo las garantías otorgadas por dichos fabricantes o proveedores externos para los productos que no son de marca ADI. ADI no garantiza por sí misma ningún producto que no sea de la marca ADI y solo lo vende "tal como está", de acuerdo con los términos y condiciones de venta de ADI.

### b. Las garantías específicas para las categorías de productos son las siguientes:

Categorías de productos	Período de garantía
Soportes de pantalla	5 años
Estante	5 años

## 2. EXCLUSIÓN DE GARANTÍAS, LIMITACIÓN DE RESPONSABILIDAD

NO EXISTEN GARANTÍAS NI CONDICIONES, EXPRESAS O IMPLÍCITAS, DE COMERCIALIZACIÓN O IDONEIDAD PARA UN FIN DETERMINADO O DE OTRO TIPO, QUE VAYAN MÁS ALLÁ DE LA DESCRIPCIÓN QUE FIGURA EN EL PRESENTE DOCUMENTO. EN LA MEDIDA EN QUE LO PERMITA LA LEY, EN NINGÚN CASO ADI SERÁ RESPONSABLE ANTE NADIE DE NINGÚN DAÑO (I)

Sin embargo, si ADI es responsable, directa o indirectamente, de cualquier pérdida o daño con respecto a los productos que vende, independientemente de la causa o el origen, su responsabilidad máxima no superará en ningún caso el precio de compra del producto, que se fijará como daños liquidados y no como una penalización, y constituirá la única y toda medida de reparación contra ADI.

## **1. Limitación de la responsabilidad ante los clientes del Comprador.**

El Comprador se compromete a limitar la responsabilidad ante sus clientes en la medida en que lo permita la ley. El Comprador reconoce que solo se considerará que ADI da a los consumidores de sus productos las garantías legales que puedan ser exigidas por la ley y en ningún momento el Comprador manifestará a sus clientes y/o usuarios de los productos de ADI que ADI otorga alguna garantía adicional. Al aceptar los productos, en la medida en que lo permita la ley, el Comprador asume toda la responsabilidad de, y acepta indemnizar y eximir a ADI de responsabilidad y defenderla de, cualesquier y todos los juicios, reclamos, demandas, causas de acción y sentencias relacionadas con daños, ya sea por lesiones personales o a la propiedad personal, sufridos por cualquier persona, firma, corporación o asociación comercial, e incluye, entre otros, a los clientes del Comprador y/o los usuarios de los productos debido a cualquier incumplimiento de los productos en cuanto a detectar y/o advertir del peligro para el cual los bienes fueron diseñados o cualquier otro incumplimiento de los productos, sin importar si la negligencia o culpa individual, colectiva o concomitante de ADI hayan causado o contribuido a tales daños.

## **2. Devoluciones**

Sujeto a los términos y condiciones que se enuncian a continuación, durante el período de garantía aplicable, ADI reemplazará el producto u otorgará un crédito en la compra, a su sola opción, sin cargo alguno, por cualquier producto defectuoso devuelto con franqueo pagado. Cualquier obligación de ADI de reemplazar los productos de la garantía limitada de por vida en virtud de esta garantía que resulte de un defecto está limitada a la disponibilidad del producto de reemplazo. ADI se reserva el derecho de reemplazar cualquiera de esos productos por los productos disponibles en ese momento, o proporcionar un crédito a su entera discreción. En el caso de que el Comprador tenga un problema con cualquier producto de ADI, debe llamar a su sucursal local de ADI a fin de recibir instrucciones para hacer la devolución:

Para Estados Unidos, llame al 1-800-233-6261

Para Canadá, llame al 877-234-7378

Para Puerto Rico, llame al 787-793-8830

Asegúrese de tener a mano el número de modelo y la naturaleza del problema. En caso de reemplazo, el producto devuelto se acreditará en la cuenta del Comprador y se emitirá una nueva factura por el artículo de reemplazo. ADI se reserva el derecho de emitir un crédito solo a cambio del reemplazo.

Si se determina que cualquier producto de la marca AVARRO se encuentra en buen estado de funcionamiento o que la incapacidad de dicho producto para funcionar correctamente es el resultado de daño o uso indebido por parte del usuario, el producto será devuelto al Comprador en las mismas condiciones en que lo recibió y el Comprador será responsable de cualquier costo de envío de la devolución.

## **5. Ley competente**

Esta Garantía Limitada se rige por las leyes del estado de Nueva York.

## **6. Varios**

Cuando dichas leyes prohíban algún término de esta Garantía limitada, este será considerado nulo y sin efecto, pero el resto de la Garantía limitada seguirá teniendo pleno vigor y efecto.

## 1. Garantie limitée

### a. Général

Soumis aux conditions générales de cette garantie limitée à partir de la date de vente pour la durée des catégories de produits définies à la section 1(b), ADI garantit que ses produits AVARRO sont exempts de défauts de matériel et de fabrication selon un usage normal, à l'exception d'une usure normale. Sauf si la loi l'exige, la présente garantie limitée est offerte uniquement à l'acheteur et ne peut être transférée à un tiers.

En vertu de la présente garantie limitée et autre obligation, ADI n'endossera aucune responsabilité dans les cas suivants :

- (i) le produit est mal installé, mal appliqué ou mal entretenu;
- (ii) le produit est installé de manière non conforme aux paramètres d'utilisation indiqués, est modifié ou est mal entretenu ou réparé;
- (iii) le produit est endommagé suite à des phénomènes naturels extérieurs comme la foudre, une surcharge électrique, un incendie, une inondation, un acte de la nature ou un phénomène similaire;
- (iv) les défauts du produit sont le résultat d'une modification non autorisée, d'une mauvaise utilisation, d'un acte de vandalisme ou d'autres causes  
non liés aux vices de matériaux ou de fabrication, ou à une défaillance des piles de quelque type que ce soit utilisées avec les produits vendus aux termes des présentes.

ADI garantit uniquement les produits portant la marque AVARRO et vendus par ADI. Les autres produits portant une marque de tiers sont garantis par le fabricant tiers pendant une période définie par ce dernier, et ADI cède à l'acheteur ces garanties et uniquement les garanties offertes par ces fabricants tiers ou vendeurs à l'égard de produits ne portant pas ses marques. ADI ne garantit pas de produits ne portant pas ses marques et vend ces produits tels quels, conformément à ses modalités de vente.

### b. Les garanties particulières applicables aux catégories de produits sont les suivantes :

Catégories de produits	Période de garantie
Supports de télévision	Garantie 5 ans
Baies	Garantie 5 ans

## 2. EXCLUSION DE GARANTIES ET LIMITATION DE RESPONSABILITÉ

AUCUNE GARANTIE OU CONDITION, EXPRESSE OU IMPLICITE DE QUALITÉ MARCHANDE OU D'ADAPTABILITÉ À UN USAGE PARTICULIER N'EST OFFERTE, OUTRE LA DESCRIPTION CI-PRÉSENTE. DANS LA PLEINE MESURE PERMISE PAR LA LOI, ADI NE SAURAIT EN AUCUN CAS ÊTRE TENUE RESPONSABLE ENVERS QUICONQUE DES DOMMAGES CONSÉCUTIFS, INDIRECTS, SPÉCIAUX OU PUNITIFS DÉCOULANT DU PRODUIT OU LIÉS À CELUI-CI DE QUELQUE FAÇON QUE CE SOIT ET/OU DU NON-RESPECT DE LA PRÉSENTE GARANTIE OU DE TOUTE AUTRE GARANTIE OU CONDITION, EXPRESSE OU IMPLICITE, OU DE TOUTE AUTRE RÉCLAMATION FONDÉE SUR LA RESPONSABILITÉ, MÊME SI LA PERTE OU LES DOMMAGES SONT CAUSÉS PAR LA NÉGLIGENCE OU LA FAUTE D'ADI ET MÊME SI CETTE DERNIÈRE A ÉTÉ AVISÉE DE LA POSSIBILITÉ QUE DE TELLES PERTES OU DE TELS DOMMAGES SURVIENNENT. Les descriptions de produits (fournies par écrit ou verbalement par ADI ou ses mandataires), caractéristiques techniques, échantillons, modèles, bulletins, dessins, diagrammes, esquisses techniques ou documents similaires utilisés par l'acheteur pour passer une commande visent uniquement à décrire les produits d'ADI et ne doivent pas être interprétés comme des garanties ou conditions expresses. Les suggestions faites par ADI ou ses mandataires au sujet de l'utilisation, de l'application ou du caractère approprié des produits ne doivent pas être interprétées comme des garanties ou conditions expresses, sauf si ADI confirme par écrit qu'il s'agit de garanties ou de conditions expresses. ADI ne garantit pas qu'il n'y aura aucune atteinte à l'intégrité des produits qu'elle vend ou que les produits qu'elle vend ne seront pas contournés, qu'ils préviendront les blessures ou les pertes matérielles en cas de cambriolage, de vol, d'incendie ou autrement ou qu'ils constitueront dans tous les cas une protection ou un avertissement approprié. L'acheteur comprend qu'un produit dûment installé et entretenu permet uniquement de réduire le risque de cambriolage, de vol ou d'incendie sans avertissement, mais qu'il ne constitue pas une assurance ou une garantie qu'un tel événement ne se produira pas ou qu'il n'entraînera pas des blessures ou des pertes matérielles. PAR CONSÉQUENT, ADI NE SAURAIT ÊTRE TENUE RESPONSABLE DES BLESSURES, DES DOMMAGES MATÉRIELS OU

D'AUTRES PERTES FAISANT L'OBJET D'UNE RÉCLAMATION, Y COMPRIS UNE RÉCLAMATION SELON LAQUELLE LE PRODUIT N'AURAIT PAS DONNÉ DE SIGNAL D'AVERTISSEMENT. Toutefois, si ADI est tenue responsable, directement ou indirectement, de pertes ou de dommages à l'égard des produits qu'elle vend, quelle qu'en soit la cause ou l'origine, sa responsabilité n'excédera en aucun cas le prix d'achat du produit, dont le remboursement sera exigé à titre de dommages-intérêts extrajudiciaires et non d'amende, et il s'agira du recours exclusif et intégral pouvant être exercé contre ADI.

### **3. Limitation de la responsabilité envers les clients de l'acheteur.**

L'acheteur accepte de limiter la responsabilité à ses clients dans la pleine mesure permise par la loi. L'acheteur reconnaît qu'ADI ne sera réputée avoir fourni aux consommateurs de ses produits que les garanties qui sont exigées par la loi. L'acheteur ne doit en aucun cas déclarer à ses clients et/ou aux utilisateurs des produits d'ADI que cette dernière offre d'autres garanties. Par l'acceptation des produits, l'acheteur assume, dans la pleine mesure permise par la loi, la pleine responsabilité à l'égard de toutes les poursuites, réclamations, mises en demeure et causes d'action et à l'égard de tous les jugements se rapportant à des dommages-intérêts, que ce soit pour des préjudices personnels ou des dommages matériels, subis par une personne, une firme, une société ou une association commerciale, y compris les clients de l'acheteur et/ou les utilisateurs des produits, en raison de toute omission de la part des produits de déceler le danger pour la détection duquel ils sont conçus et/ou de donner l'alerte de ce danger ou un avertissement de toute autre défaillance des produits, que ces dommages aient été causés par la négligence dont ADI est l'auteur ou le coauteur, et il tiendra ADI à couvert à cet égard et prendra fait et cause pour lui.

### **4. Retours**

Sous réserve des conditions générales énumérées ci-dessous et durant la période de garantie applicable, ADI remplacera ou créditera tout produit défectueux retourné port payé à sa seule discrétion et sans frais. L'obligation qui incombe à ADI de remplacer le produit visé par une garantie à vie limitée aux termes de la garantie en question si celui-ci est défectueux se limite à la disponibilité d'un produit de remplacement. ADI se réserve le droit de remplacer un produit défectueux par le produit qui est disponible à ce moment-là, ou de donner une note de crédit, à son gré. Si l'acheteur a un problème avec un produit d'ADI, il doit appeler sa succursale ADI locale pour connaître la marche à suivre pour retourner le produit.

Aux États-Unis, composer le 1 800 233-6261

Au Canada, composer le 877 234-7378

À Porto Rico, composer le 787 793-8830

N'oubliez pas d'avoir en main le numéro de modèle et la nature du problème. En cas de remplacement, le prix du produit retourné sera porté au crédit du compte de l'acheteur et une nouvelle facture sera établie pour le produit de remplacement. ADI se réserve le droit de donner une note de crédit plutôt que de remplacer le produit.

Si l'on établit que le produit AVARRO n'est pas défectueux ou que son mauvais fonctionnement résulte d'une utilisation abusive ou de dommages causés par l'utilisateur, le produit sera retourné à l'acheteur dans le même état que celui dans lequel il a été reçu et l'acheteur devra acquitter les frais de transport.

### **5. Droit applicable**

Les lois de l'État de New York s'appliquent à la présente garantie limitée.

### **6. Divers**

Si une modalité de la présente garantie limitée est interdite par ces lois, elle sera nulle, mais le reste de la présente garantie limitée demeurera pleinement en vigueur.

NX-TXL3790

